

# Aqua-Pure®

Spec # \_\_\_\_\_

Quantity \_\_\_\_\_

## Models:

**AP817 / AP817-2**

**Whole House Water Filters**

### Applications:

- Whole House Water Filtration of Particulate\* and Chlorine Taste and Odor (CTO)\*

### At a Glance:

- Polyethylene Outer Shell
- Micro-Klean™ Center Core
- Granular Activated Carbon Media



AP817-2



AP817

### Product Benefits:

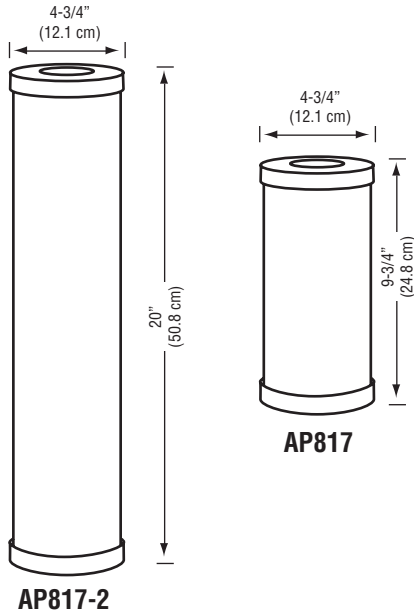
- 25 nominal micron particulate is captured on the rigid polyethylene outer shell
- 40,000 gallon chlorine reduction capacity at 10 gpm (AP817) and at 20 gpm (AP817-2) provides up to 6 months service for all your home's water
- Radial flow design allows for the use of finer activated carbon, yielding a lower pressure drop
- Double open ended design fits all large diameter housings. Cartridge will filter water regardless of which way it is installed in housing.
- Soft neoprene gaskets on both top and bottom assisting in the prevention of unfiltered downstream water

### Product Specifications:

Model No. (Part No.)	Dimensions		Flow Rate	Max. Water Temp.	Degree of Filtration
	Height	Diameter			
AP817 (56027-01)	9-3/4" (24.8 cm)	4-3/4" (12.1 cm)	10 gpm (37.9 lpm)	100°F (37.8°C)	25 nominal micron
AP817-2 (56027-07)	20" (50.8 cm)	4-3/4" (12.1 cm)	20 gpm (75.7 lpm)	100°F (37.8°C)	25 nominal micron

\* As tested and verified by manufacturer's laboratory

# Aqua-Pure®



Spec # \_\_\_\_\_

Quantity \_\_\_\_\_

Model Number \_\_\_\_\_

Part Number \_\_\_\_\_

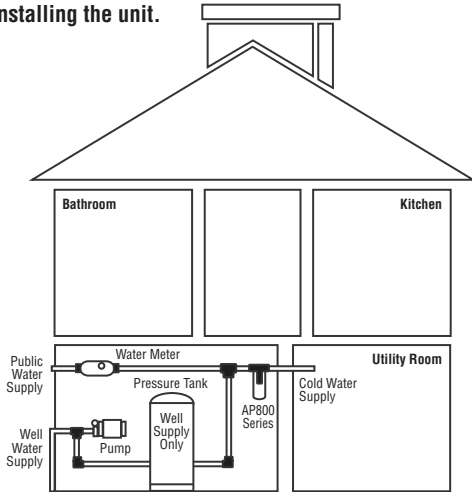
## Specifications:

- Cartridges are manufactured from FDA CFR-21 compliant materials
- Cartridges have a maximum operating temperature of 100°F (37.8°C)
- Cartridges to be installed in designated whole house system located at Point of Entry

Fits all 3M Purification Inc. and most competitive filter housings	
AP817	AP817-2
AP801	AP802
AP801-C	AP802-1.5-C
AP801T-C	
AP801-1.5-C	

## Easy Installation:

**CAUTION:** Diagram shown is for reference purposes only. Read installation and operation manual prior to installing the unit.



**⚠ WARNING:** To reduce the risk associated with the ingestion of contaminants:

- Do not use with water that is microbiologically unsafe or of unknown quality without adequate disinfection before or after the system.

3M Purification Inc. recommends regularly scheduled maintenance and replacement of the filter cartridge(s) in order for the product to perform as advertised/sold. 3M Purification Inc. shall not be liable for system failures due to improper maintenance.

**CAUTION:** To reduce the risk associated with property damage due to water leakage:

- The disposable filter cartridge **MUST** be replaced every six (6) months, at the rated capacity or sooner if a noticeable reduction in flow rate occurs.

## Limited Warranty:

**Limited Warranty:** 3M Purification Inc. warrants this Product will be free from defects in material and manufacture for one (1) year from the date of purchase. The filter cartridge or filter membrane is warranted to be free from defects in material and manufacture for one (1) year. This warranty does not cover failures resulting from abuse, misuse, alteration or damage not caused by 3M Purification Inc. or failure to follow installation and use instructions. No warranty is given as to the service life of any filter cartridge or membrane as it will vary with local water conditions and water consumption. **3M PURIFICATION INC. MAKES NO OTHER WARRANTIES OR CONDITIONS, EXPRESS OR IMPLIED, INCLUDING, BUT NOT LIMITED TO, ANY IMPLIED WARRANTY OR CONDITION OF MERCHANTABILITY OR FITNESS FOR A PARTICULAR PURPOSE OR ANY IMPLIED WARRANTY OR CONDITION ARISING OUT OF A COURSE OF DEALING, CUSTOMER OR USAGE OF TRADE.** If the Product fails to satisfy this Limited Warranty during the warranty period, 3M Purification Inc. at its option will replace the Product or refund your Product purchase price. This warranty does not cover labor. **The remedy stated in this paragraph is Customer's sole remedy and 3M Purification Inc.'s exclusive obligation. For additional information, see the entire Limited Warranty located in the product Installation and Operating Instruction Manual.**

**Limitation of Liability.** 3M Purification Inc. will not be liable for any loss or damage arising from this 3M Purification Inc. product, whether direct, indirect, special, incidental, or consequential, regardless of the legal theory asserted, including warranty, contract, negligence or strict liability. Some states and countries do not allow the exclusion or limitation of incidental or consequential damages, so the above limitation or exclusion may not apply to you.

Distributed by:



3M Purification Inc.  
 400 Research Parkway  
 Meriden, CT 06450 U.S.A.  
 Toll Free: 1.800.222.7880  
 Worldwide: 203.237.5541  
 Fax: 203.238.8701  
 www.aquapure.com • www.3mpurification.com



COMPONENT

Visit [www.nsf.org](http://www.nsf.org) for the claims associated with products that are NSF listed.

3M, Aqua-Pure and Micro-Klean are trademarks of 3M Company.  
 NSF is a trademark of NSF International.  
 © 2014 3M Company. All rights reserved.  
 70020204213 REV 0114