

3M™ Water Filtration Products

3M™ Aqua-Pure™ Whole House Water Filtration System, AP900 Series

Models AP902/AP903/AP904

The 3M™ Aqua-Pure™ Whole House Water Filtration System, AP900 Series offering the industry's first Sanitary Quick Change (SQC) whole house system. The innovative Sanitary Quick Change (SQC) design allows for fast and easy cartridge change-outs without having to contact the filter media or the need for a filter wrench. These systems are referred to as point-of-entry (POE) systems and are installed downstream from the water meter or well pump. Stainless steel inlet and outlet connections provide easy installation for a plumbing professional and peak flow rates up to 20 gpm to meet the needs of residential applications. The 304 stainless steel head can be installed on existing copper pipes in the home. It consists of a corrosion resistant material that provides long service life.

Product Benefits:

- Helps to provide consistent high quality water for whole house filtration
- 100,000 gallon capacity (approximately one year cartridge life under most water quality conditions)
- Ideal for drinking water filtration at point of entry in small to large homes and light commercial buildings.
- Three systems:
 - AP902: Particulate¹; Filter incorporates a non-woven pleat media that reduces sediment down to 5 micron nominal.
 - AP903: Particulate and Chlorine Taste & Odor¹; Incorporates carbon block filtration with a non-woven pleat media for reduction of chlorine, taste and odor and for reduction of sediment down to 5 micron.
 - AP904: Particulate and Chlorine Taste & Odor¹; Incorporates carbon block filtration with a non-woven pleat media and scale inhibition media for reduction of chlorine, taste and odor and sediment down to 5 micron and to help reduce potential build-up of hardness scale in water using applications like hot water heaters.
- Sanitary Quick Change (SQC) design, an industry first for this application, allows for fast and easy cartridge change-outs without the need of a filter wrench
- 304 stainless steel head allows for sweat in place installation and is a corrosion resistant material
- 1" inlet and outlet connections for easy installation and peak flow rates up to 20 gpm (75.7 lpm)
- Capacity tested at high flow rates of 10 gpm and even at intermittent peak flow rates of 20 gpm to help meet most residential and light commercial applications

Model AP902



Model AP903



Model AP904



1 As tested and verified by manufacturer's laboratory

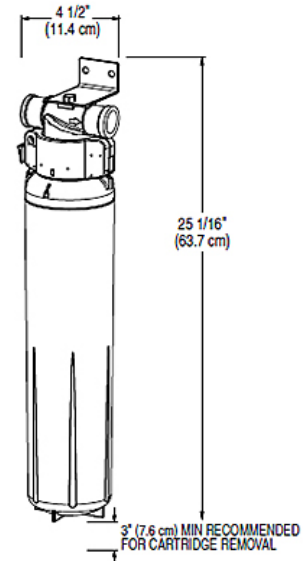
3M™ Aqua-Pure™ Whole House Water Filtration System, AP900 Series

Spec # _____
 Quantity _____
 Model # _____
 Part # _____

Product Specifications:

- Temperature: 40°-100°F (4.4° - 37.8°C)
- Pressure Range: 25-125 psi (172 - 862 kPa)
- System includes a head assembly with integral mounting bracket and a single cartridge filter. (AP902 includes AP910R; AP903 includes AP917HD; AP904 includes AP917HD-S)
- Inlet and outlet plumbing connections are 1" NPT.
- Filter cartridge is o-ring seal type.
- Filter cartridge incorporates a non-woven pleat media (AP910R).
- Filter cartridge incorporates carbon block filtration with a non-woven pleat media (AP917HD-S).
- Cartridges are sanitary in design, requiring no contact with the filter media during cartridge change-out.
- AP910R, AP917HD and AP917HD-S filter cartridges require no pre-activation.

AP900 Series



System

Model Number	Standard Replacement Cartridge Number	Degree of Filtration	Flow Rate (gpm/lpm) ¹	Weight (lbs/kg)	Claims
AP902 (5621101)	AP910R 5621001	5 micron nominal	20 gpm (75.7 lpm)	7.0 lbs (3.2 kg)	Particulate ²
AP903 (5621102)	AP917HD 5621006	5 micron nominal	20 gpm (75.7 lpm)	7.5 lbs (3.4 kg)	Particulate, Chlorine Taste and Odor ²
AP904 (5621104)	AP917HD-S 5621008	5 micron nominal	20 gpm (75.7 lpm)	7.5 lbs (3.4 kg)	Particulate, Chlorine Taste and Odor ² , Scale ²

1 Results may vary based on local water conditions
 2 As tested and verified by manufacturer's laboratory

3M™ Aqua-Pure™ Whole House Water Filtration System, AP900 Series

Spec # _____

Quantity _____

Model # _____

Part # _____

Important Installation Tips:

These installation tips are for informational purposes only and are not intended to be used as actual installation instructions.

⚠ WARNING: Read entire product manual and Performance Data Sheet. Failure to follow all product instructions could cause personal injury from exposure to contaminants AND/OR property damage due to water leakage or flooding.

- System installation and use must comply with all state and local regulations and plumbing codes.
- DO NOT use with water that is microbiologically unsafe or of unknown quality without adequate disinfection before or after the system.
- If your water supply pressure is higher than 80 psi, you must install a pressure reducing valve before installing system.
- Filter cartridge must be replaced at the required intervals as stated on the product label and manual.
- For cold water use only.
- The AP903 and AP904 Water Filtration System has been tested and certified to NSF/ANSI standard 42 for the reduction of the substances listed in the system Performance Data Sheet. The system does not reduce all substances that could be present in your water.

For additional product information, including product manual and Performance Data Sheet, visit www.3M.com

Technical Information: The technical information, guidance, and other statements contained in this document or otherwise provided by 3M are based upon records, tests, or experience that 3M believes to be reliable, but the accuracy, completeness, and representative nature of such information is not guaranteed. Such information is intended for people with knowledge and technical skills sufficient to assess and apply their own informed judgment to the information. No license under any 3M or third party intellectual property rights is granted or implied with this information.

Product Selection and Use: Many factors can affect whether a 3M product is appropriate for a particular application and how it performs, including local water and plumbing conditions. Customer is solely responsible for determining whether a 3M product meets customer's specific application requirements, including testing incoming source water quality and comparing it to the product's capabilities described in the Performance Data Sheet. Failure to properly evaluate, select, use or maintain a 3M product, or to meet applicable regulations or instructions, may result in personal injury from exposure to contaminants AND/OR property damage due to water leakage or flooding.

Limited Warranty, Limited Remedy, and Disclaimer: 3M warrants that this product (excluding filter cartridge or filter membrane) will be free from defects in material and manufacture for the period of one (1) year from the date of purchase. No warranty is given as to the service life of any filter cartridge or membrane as it will vary with local water conditions and water consumption. Except as required by law, 3M MAKES NO OTHER WARRANTIES OR CONDITIONS, EXPRESS OR IMPLIED, INCLUDING, BUT NOT LIMITED TO, ANY IMPLIED WARRANTY OR CONDITION OF MERCHANTABILITY OR FITNESS FOR A PARTICULAR PURPOSE OR ANY IMPLIED WARRANTY OR CONDITION ARISING OUT OF A COURSE OF DEALING, CUSTOM OR USAGE OF TRADE. This warranty does not cover failures resulting from misuse, alterations, failure to follow instructions or damage not caused by 3M. This warranty does not cover labor. If the 3M product does not conform to this warranty, then the sole and exclusive remedy is, at 3M's option, replacement of the 3M product or refund of the purchase price.

This warranty gives you specific legal rights, and you may have other rights which may vary from state to state, or country to country. For warranty questions or service, please call 866.990.9785. Proof of purchase must accompany a warranty claim.

Limitation of Liability: Except for the limited remedy stated above, and except to the extent prohibited by law, 3M will not be liable for any loss or damage arising from or related to the 3M product, whether direct, indirect, special, incidental, or consequential (including, but not limited to, lost profits or business opportunity), regardless of the legal or equitable theory asserted, including, but not limited to, warranty, contract, negligence, or strict liability.



3M Purification Inc.
3M Separation and Purification Sciences
Division

400 Research Parkway
Meriden, CT 06450 U.S.A.

Toll Free 1-866-990-9785
Worldwide 1-203-237-5541
Web www.3M.com/waterquality

3M and Aqua-Pure are trademarks of 3M Company. NSF is a trademark of NSF International.
© 2023 3M Company. All rights reserved.
Please recycle. Printed in U.S.A.
Rev 032023