

Package Contents

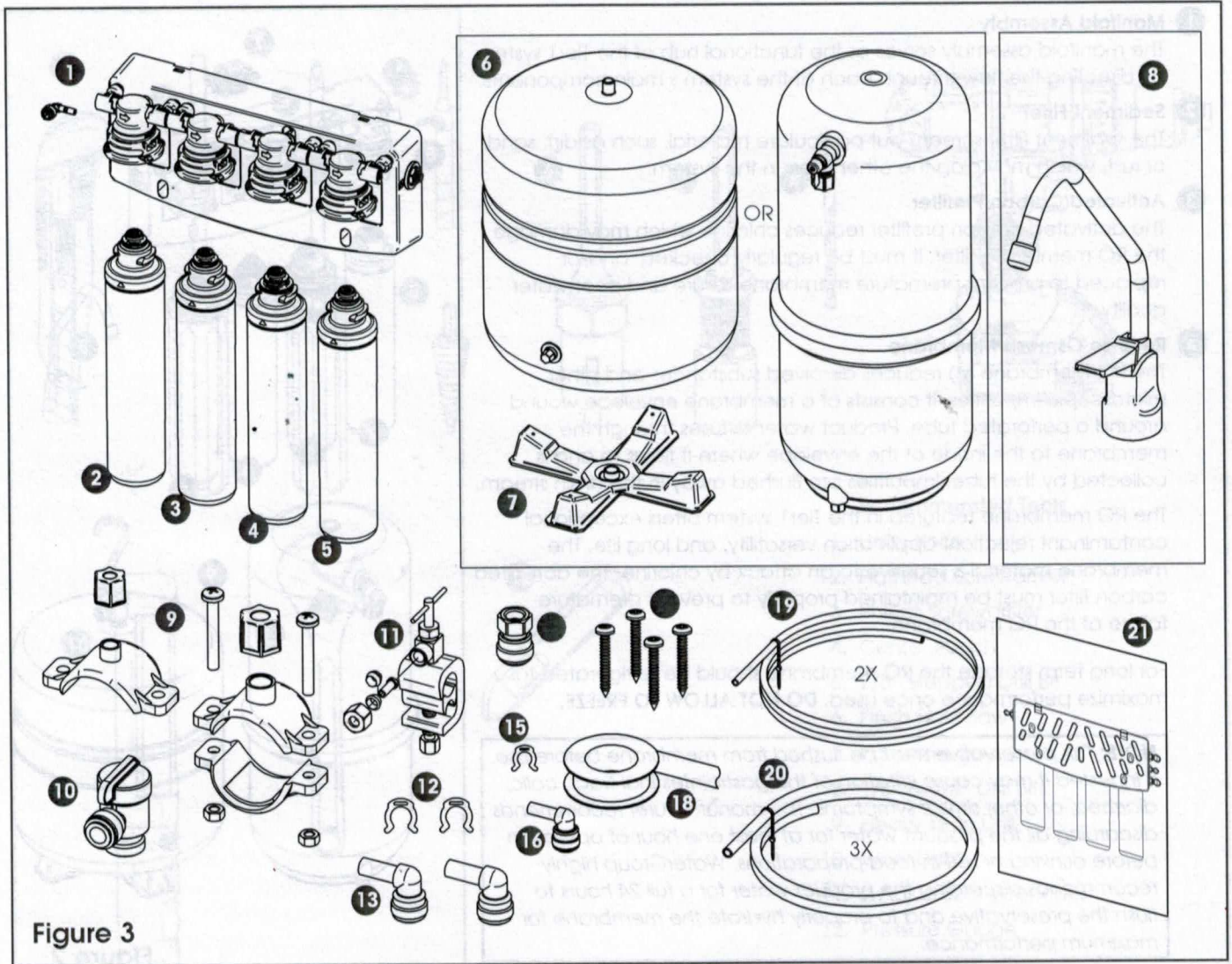


Figure 3

- | | | |
|----------------------------------|--------------------------------|--|
| 1. RO Manifold with Flow Control | 9. Drain Saddle (1/4" or 3/8") | 17. 4X #10 Phillips Self Tapping Screws |
| 2. Sediment Filter | 10. Tank Shut-off Valve | 18. Teflon Tape |
| 3. Carbon Block Filter | 11. Piercing Saddle Valve | 19. 1/4" Tubing (4 ft. White;
4 ft. Red) |
| 4. RO Membrane | 12. 2X Locking Clip (3/8") | 20. 3/8" Tubing (4 ft. White;
4 ft. Red;
4 ft. Blue) |
| 5. Carbon Block Filter | 13. 2X 3/8" Elbow | 21. Installation Template Sheet 11X17 |
| 6. Metal or Plastic Storage Tank | 14. Faucet Adapter | |
| 7. Tank Base (Optional) | 15. Locking Clip (1/4") | |
| 8. Faucet and Hardware | 16. 1/4" Elbow | |